

1 PLUMBING DEMO PLAN - CAFE
1/8" = 1'-0"

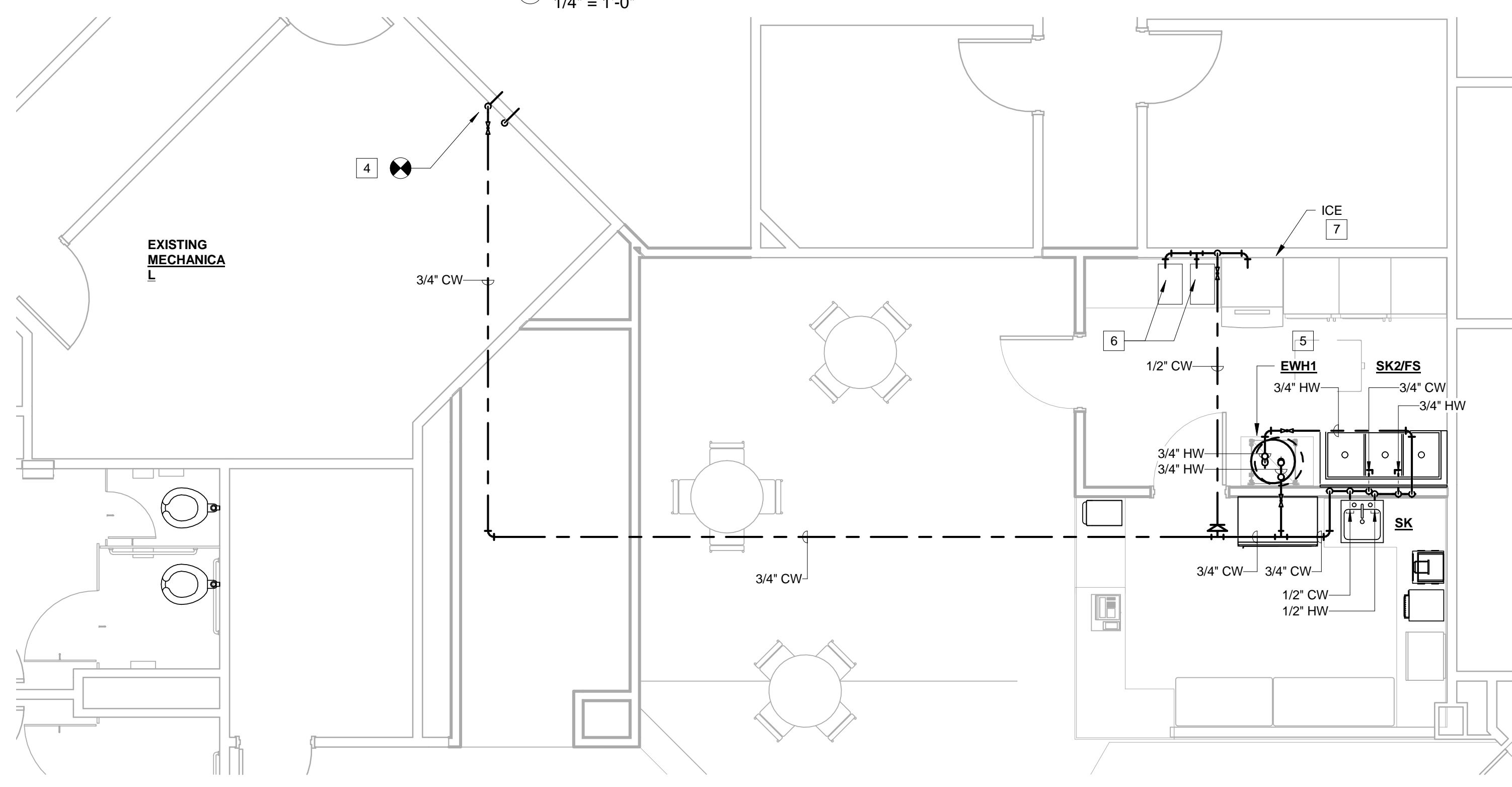
PLUMBING GENERAL NOTES:

- CONTRACTOR SHALL VERIFY ALL DIMENSIONS AND EXISTING CONDITIONS AT THE JOB SITE BEFORE COMMENCING ANY PHASE OF THE WORK. ADJUSTMENTS FOR FIT AND COORDINATION SHALL BE MADE AT NO ADDITIONAL COST TO THE OWNER. NOTIFY ENGINEER OF ANY CONFLICTS, DISCREPANCIES OR OMISSIONS PRIOR TO COMMENCEMENT OF THE CONTRACT WORK.
- CONTRACTOR SHALL REVIEW ALL ARCHITECTURAL, MECHANICAL & STRUCTURAL DRAWINGS AND SPECIFICATIONS FOR ANY ADDITIONAL REQUIREMENTS.
- CONTRACTOR SHALL COORDINATE HIS WORK WITH OTHER TRADES.
- SEAL ALL WALL, ROOF, AND FLOOR PENETRATIONS WITH UL LISTED FIRE SEALANT.
- PLUMBING CONTRACTOR TO FIELD COORDINATE WITH STRUCTURAL. ROUTE SANITARY LINES OUT AND AWAY FROM BEAMS WHERE POSSIBLE AND CROSS BEAMS PERPENDICULAR WITH SI FFVFS AS REQUIRED.

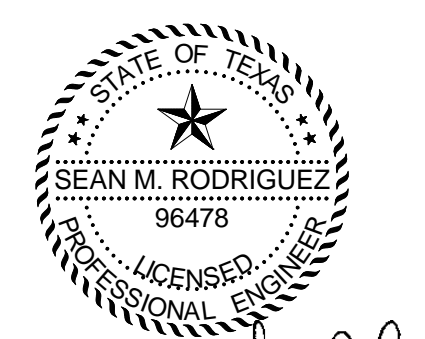
PLUMBING KEY

- PROVIDE 4"SS; TIE INTO EXISTING SANITARY AT THIS APPROXIMATE LOCATION. FIELD VERIFY EXACT LOCATION, SIZE, AND FLOW DIRECTION. CUT AND PATCH FLOOR AS REQUIRED USING APPROVED METHODS.
- PROPOSED GREASE INTERCEPTOR LOCATION. INSTALL PER MANUFACTURER'S INSTRUCTION.
- PROVIDE 2"V; TIE INTO EXISTING BUILDING VENT SYSTEM. FIELD VERIFY EXACT LOCATION.
- PROVIDE 3/4"CW; TIE INTO EXISTING COLD WATER LINE IN MECHANICAL ROOM. EXISTING HOT&COLD SUPPLIES TO REMAIN. SINGLE COMPARTMENT SINK ON OPPOSING WALL, NOT IN SCOPE.
- PROVIDE ELECTRIC WATER HEATER ON WALL HUNG PLATFORM; REFER TO PLUMBING FIXTURE SCHEDULE. FIELD COORDINATE EXACT MOUNTING LOCATION. INSTALL PER MANUFACTURER'S INSTRUCTION.
- PROVIDE WATER CONNECTION TO COFFEE BREWING STATION. PROVIDE QUARTER TURN SHUT OFF BALL VALVE. INSTALL PROVIDED WATER FILTER. PROVIDE WATTS SERIES SD-3 STAINLESS STEEL DUAL CHECK VALVE. DEVICE MUST CONFORM TO ASSE 1022.
- PROVIDE WATER SUPPLY CONNECTION TO ICE MACHINE. INSTALL PER MANUFACTURER'S INSTRUCTION.

2 PLUMBING PLAN - DWV
1/4" = 1'-0"



3 PLUMBING PLAN - WATER
1/4" = 1'-0"

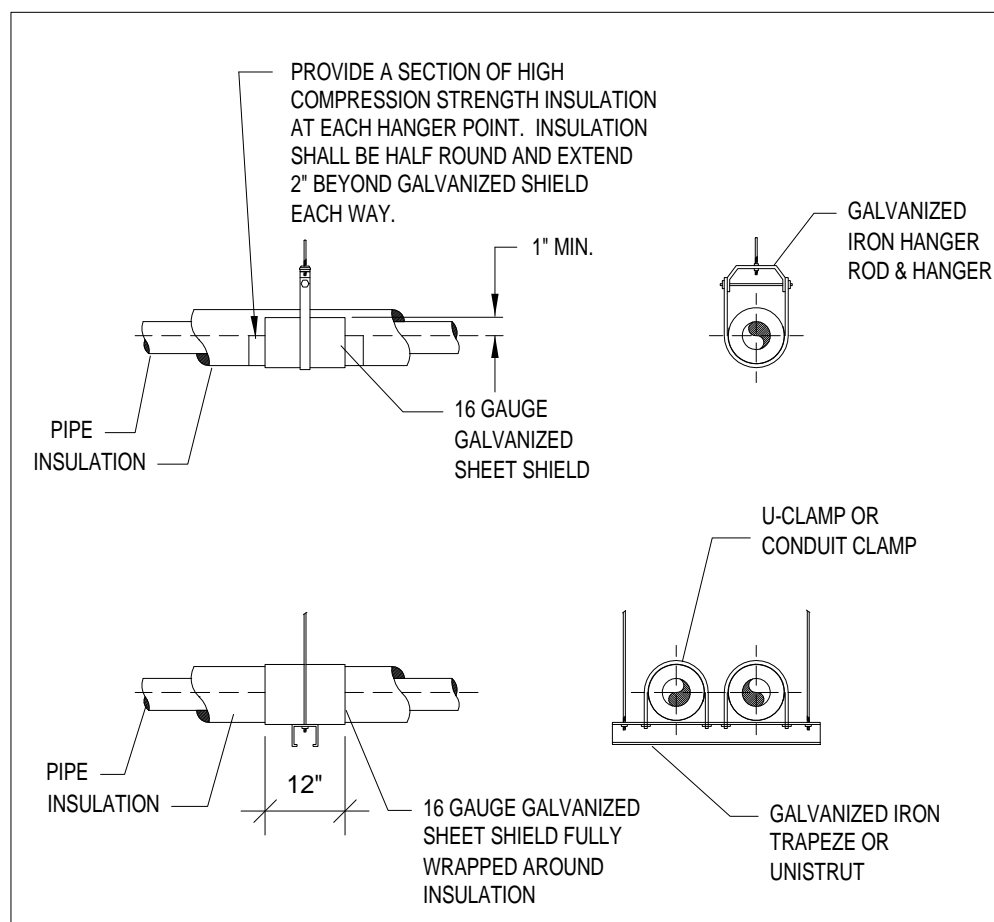


07/20/17

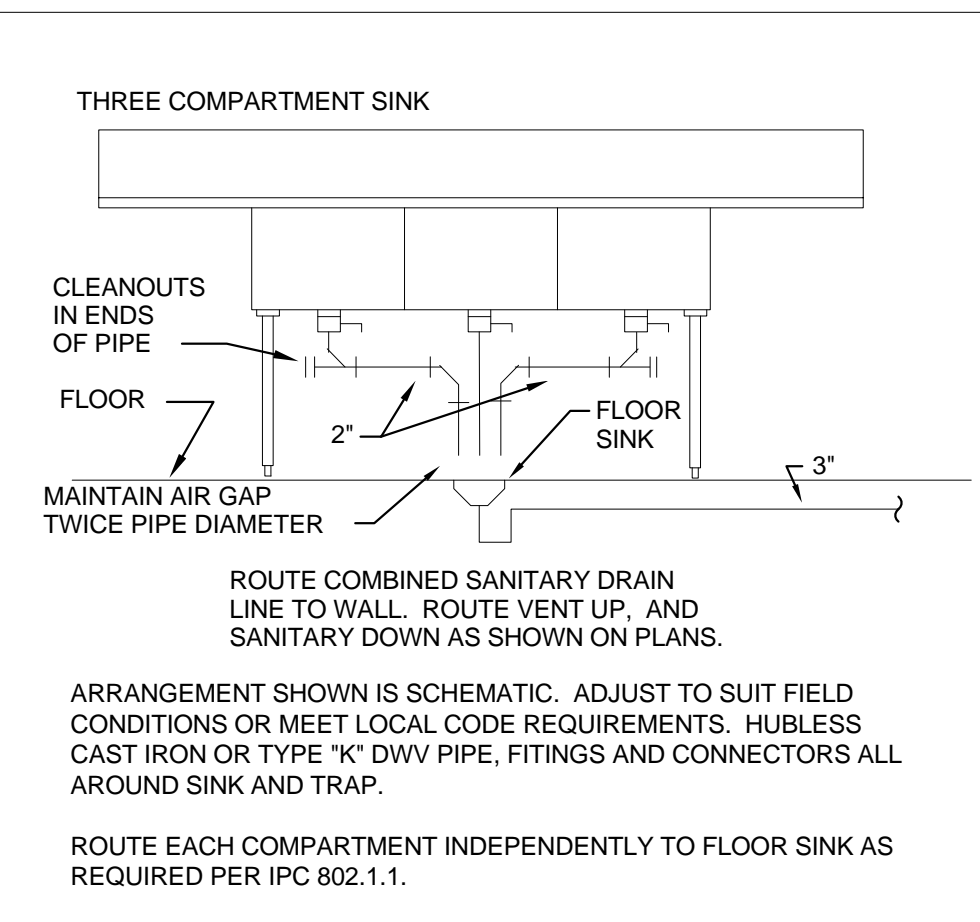
KEY PLAN
TURNER | RAMIREZ ARCHITECTS
3751 S. ALAMEDA ST.
CORPUS CHRISTI, TX 78411
p (361)994-8900
www.trarch.com

REV	DESC.	DATE

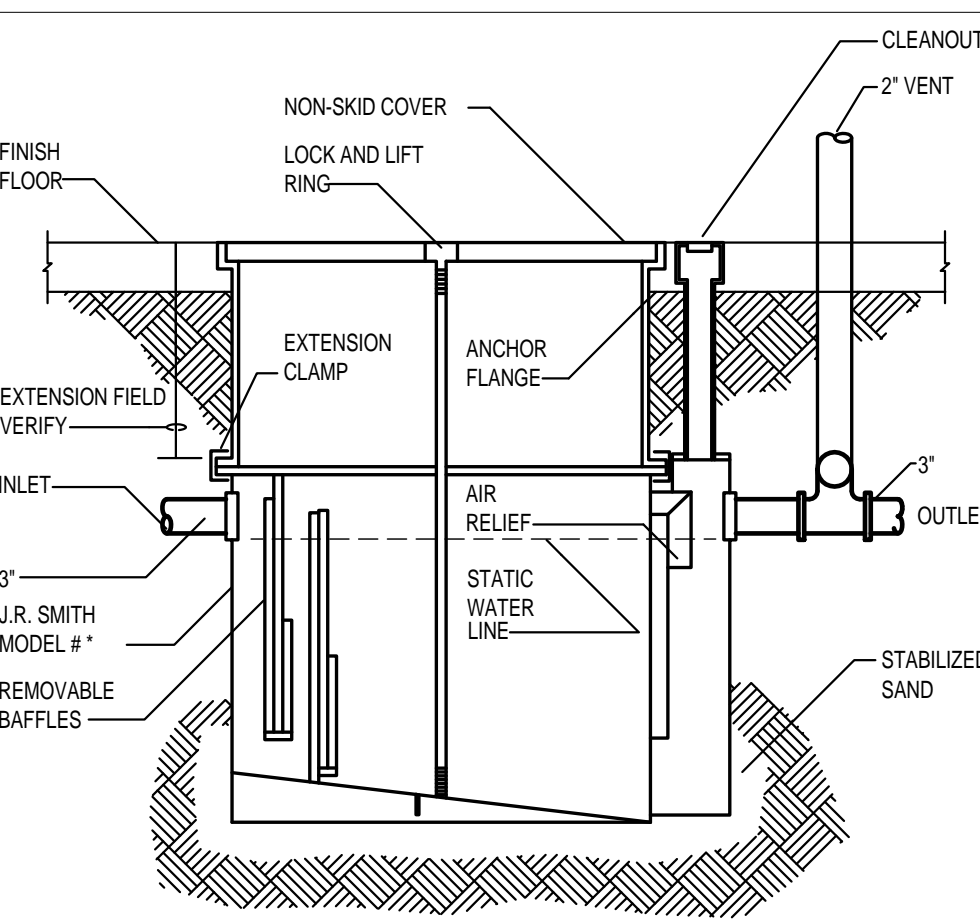
PLUMBING FLOOR PLAN



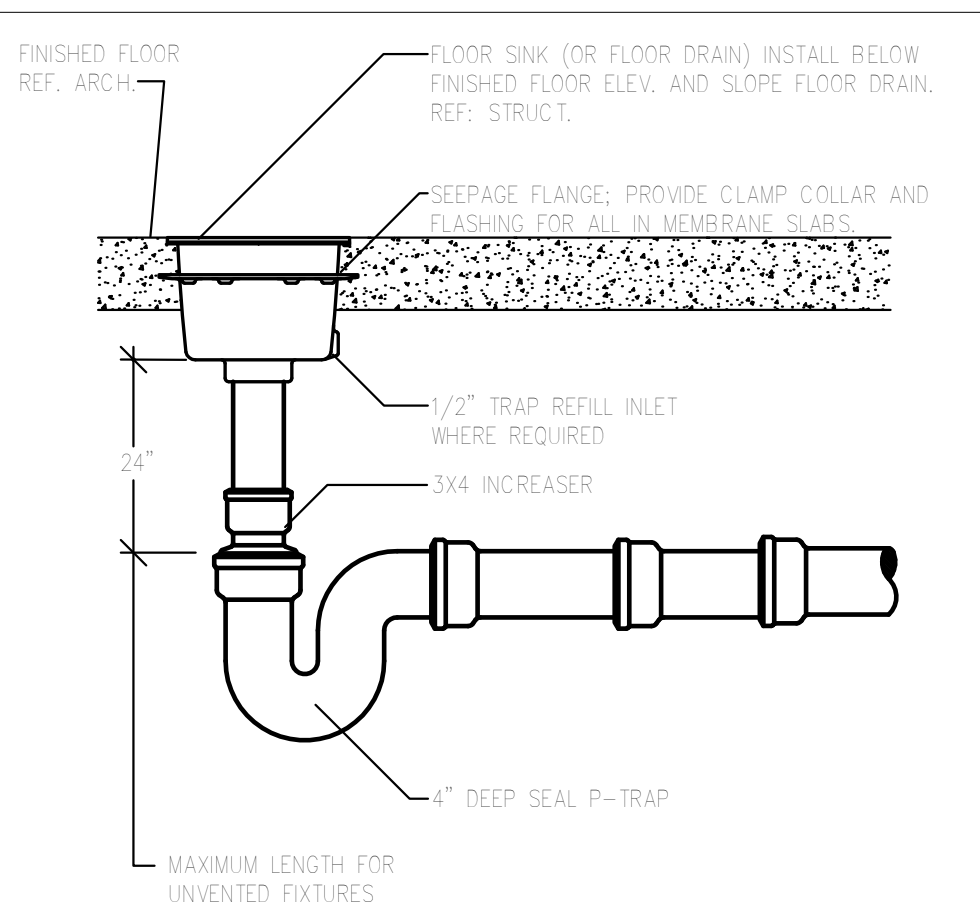
1 PIPE HANGER FOR INSUL. PIPE
NOT TO SCALE
PVHE203



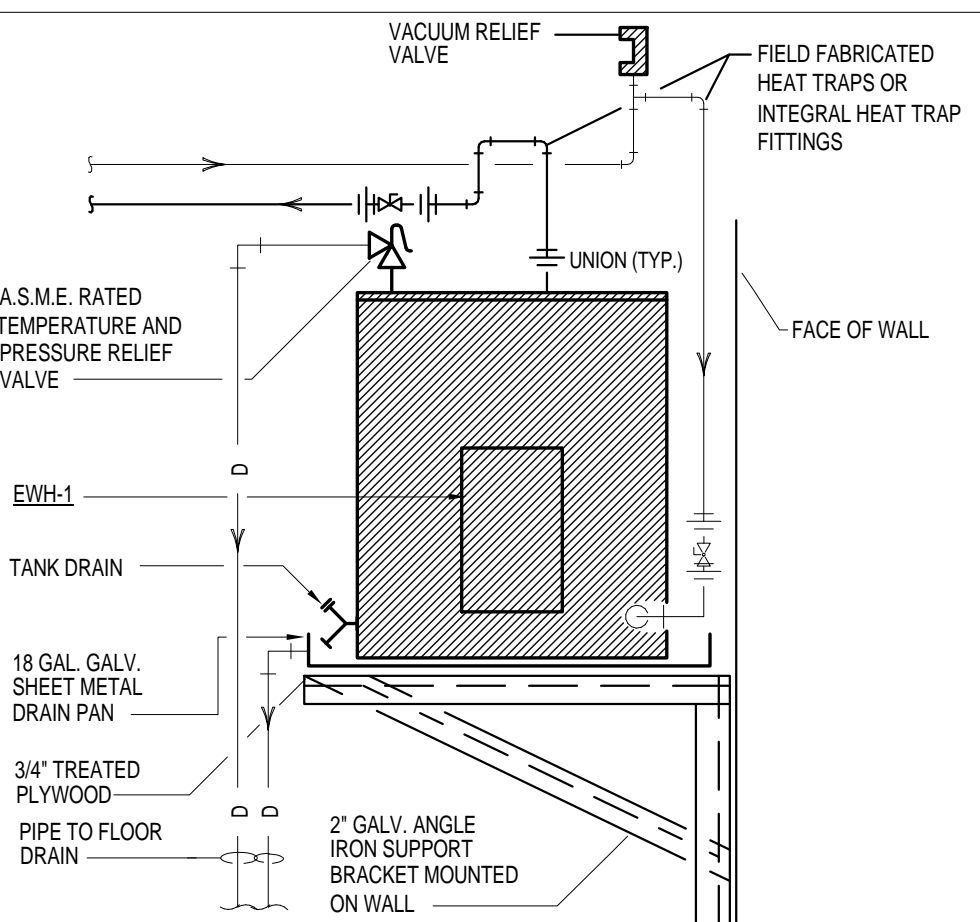
2 SCULLERY SINK
NOT TO SCALE



3 GREASE TRAP DETAIL
NOT TO SCALE
PWTT100

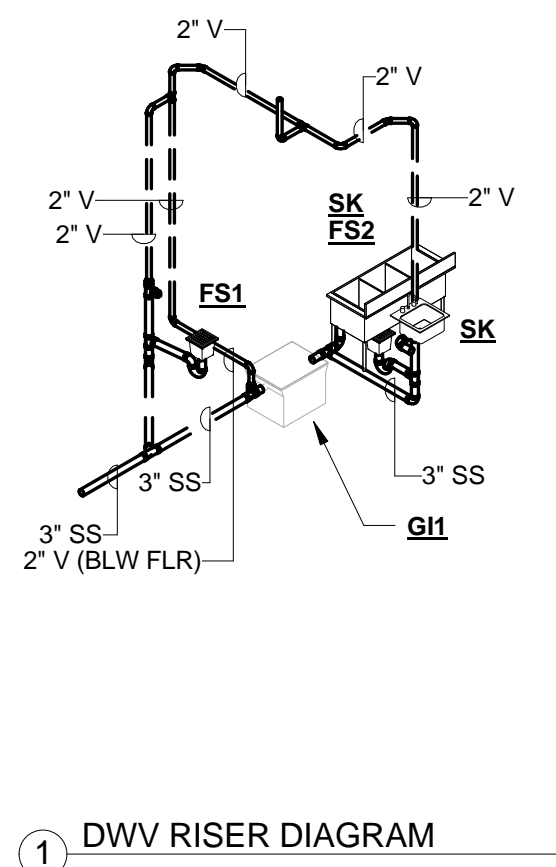


4 FLOOR DRAIN DETAIL
NOT TO SCALE
PPWD100

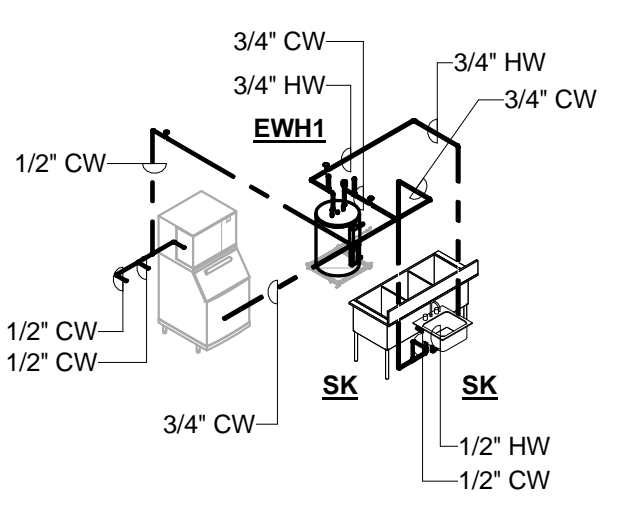


5 WATER HEATER DETAIL
NOT TO SCALE
PVHE201

PLAN MARK	MINIMUM ROUGH-IN SIZES				DESCRIPTION
	WST & VENT	DRAIN	CW	HW	
SINK SK1 (SINGLE COMPARTMENT)	2"	1-1/2"	1-1/2"	1/2"	ELKAY No. LRAD-1918 "LUSTERTONE" 6" DEEP 3 HOLE PUNCH, 18 GA. 304 STAINLESS STEEL SELF RIMMING SINK WITH OFF-CENTER REAR DRAIN OPENING. PROVIDE T&S BRASS FAUCET No. B-866-04 WITH 1.0 GPM AERATOR SWIVEL GOOSENECK WITH WRIST BLADE HANDLES, LK-18 FIXED GRID DRAIN STRAINER, WITH OFFSET TAILPIECE. PROVIDE C.P. CAST BRASS P-TRAP WITH C.O., LOOSE KEY STOPS AND SUPPLIES. PROVIDE TRUEBRO No. 102-EZ INSULATION KIT FOR ADA.
SINK SK2 (THREE COMPARTMENT)	---	---	---	1/2"	ELKAY SSP No. E-3C-16x20-0 12" ECONOMY SERIES THREE COMPARTMENT SINK, 18 GA. 300 STAINLESS STEEL, NO DRAINBOARDS, GALVANIZED LEGS WITH ADJUSTABLE FEET. PROVIDE T&S BRASS FAUCET No. B-0231 12" SWING NOZZLE WITH LEVER BLADE HANDLES, 8" CENTER. PROVIDE STRAINER, WITH C.O., LOOSE KEY STOPS AND SUPPLIES.
FLOOR SINK 3"FS1	3"	2"	3"	---	J.R. SMITH MODEL No. 3150-41 INDIRECT WASTE DRAIN WITH 1/2 GRATE COVER, DOME BOTTOM STRAINER.
FLOOR SINK 3"FS2 (SOLID INTERCEPTOR)	3"	2"	3"	---	J.R. SMITH MODEL No. 3150-41 INDIRECT WASTE DRAIN WITH 1/2 GRATE COVER, WITH DOME BOTTOM STRAINER. PROVIDE REMOVABLE POLY MESH BASKET STRAINER FOR EASY CLEAN UP.
GREASE INTERCEPTOR GT-1 HYDRO MECHANICAL	4"	2"	4"	---	MIFAB MODEL#MI-GI-7-PL HDPE INJECTION MOLDED HYDRO MECHANICAL GREASE INTERCEPTOR, 50 GPM MAX FLOW, GREASE CAPACITY 100 LB.
ELECTRIC WATER HEATER EWH	---	---	---	3/4"	A.O. SMITH No. DEL-30, 30 GALLON STORAGE W/ ONE 2500 W ELEMENT. UNIT SHALL HAVE 11 GPH FIRST HR RECOVERY AT 90° F. TEMPERATURE RISE. UNIT SHALL BE RATED FOR 150PSI WORKING PRESSURE, GLASS LINED TANK, ASME TPR VALVE, 6 YEAR WARRANTY, BRASS DRAIN VALVE, AND MFG'S HEAT TRAPS. UNIT SHALL BE 208 VOLT, SINGLE PHASE.



1 DWV RISER DIAGRAM



2 WATER RISER DIAGRAM

- ### PLUMBING GENERAL NOTES:
- CONTRACTOR TO FIELD VERIFY ELEVATIONS AND DIMENSIONS OF FINISHED FLOORS AND WALLS. TRUE ALL DRAINS, ROUGH-INS AND CARRIERS IN ACCORDANCE WITH THE PROPOSED ELEVATIONS AND FINISHED SURFACES.
 - MOUNTING HEIGHT ELEVATION OF ALL WALL HUNG OR COUNTER MOUNTED FIXTURES SHALL BE COORDINATED WITH THE ARCHITECT PRIOR TO INSTALLATION OF ROUGH-IN WORK.
 - FOR ALL FIXTURES AND EQUIPMENT WITH ASSOCIATED TRIM OR COMPONENT ACCESSORIES, PROVIDE UNDER SEPARATE DIVISIONS AND REQUIRING PLUMBING CONNECTIONS; THIS CONTRACTOR SHALL FIELD COORDINATE EXACT REQUIREMENTS OF, MAKE PROVISIONS FOR, AND SUPPLY ALL MATERIALS AND LABOR FOR MAKING FINAL CONNECTIONS.
 - CONTRACTOR SHALL REFER TO SHOP DRAWINGS OF EQUIPMENT TO BE SUPPLIED FOR FINAL COORDINATION OF ALL ROUGH-IN OPENINGS BEFORE BEGINNING WORK.
 - ALL FIXTURE AND EQUIPMENT STUB-OUTS SHALL BE PROVIDED WITH A STOP VALVE. ALL FIXTURE STOPS SHALL BE SOLID BRASS, LOOSE KEY OPERATED, CHROME PLATED (WERE EXPOSED), AND FITTED TIGHT TO CHROME PLATED BRASS WALL ESCUTCHEON PLATES. SUPPLY RISERS SHALL BE TYPE "L" TUBING, CHROME PLATED. PROVIDE 1/2" FIP X 3/8" OD COMPRESSION FITTINGS FOR ALL SINKS, LAVATORIES, AND SIMILAR FIXTURES.
 - ALL P-TRAPS WITHIN THE BUILDING, ABOVE GRADE AND EXPOSED TO INSPECTION SHALL BE CHROME PLATED ADJUSTABLE, CAST BRASS WITH CLEANOUT PLUG. PROVIDE CAST SLIP NUTS AND WASHERS, 17 GAGE SEAMLESS TUBULAR BRASS DRAIN TO WALL AND WALL FLANGE. PROVIDE 1-1/2" P-TRAP FOR ALL LAVATORIES AND SIMILAR FIXTURES. PROVIDE 1-1/2" P-TRAP FOR ALL SINKS AND SIMILAR FIXTURES, MCGUIRE OR EQUAL.
 - ALL ROUGH-IN OPENINGS SHALL BE FITTED WITH CHROME PLATED, WROUGHT BRASS DEEP BELL OR BOX ESCUTCHEON PLATES FITTED TIGHT TO PIPE AND FLUSH TO WALL. STEEL ESCUTCHEON PLATES ARE NOT ACCEPTED.
 - ALL EXPOSED BRASS SHALL BE CHROME PLATED.
 - ALL HANDICAPPED ACCESSIBLE FIXTURES SHALL BE OF APPROVED TYPES AND WITH REQUIRED CONTROLS INSTALLED TO HEIGHTS AND CLEARANCES, AS PRESCRIBED BY THE AMERICAN DISABILITIES ACT (ADA) AND THE TEXAS ACCESSIBILITY STANDARDS (TAS). FIXTURES SHALL COMPLY WITH ALL FEDERAL, STATE, AND LOCAL ACCESSIBILITY CODE REQUIREMENTS. PROVIDE FIXTURES WITH DEPTHS AT MAXIMUM PERMITTED AND AVAILABLE FOR INTENDED FIXTURE USE.
 - INSULATE ALL EXPOSED WATER AND DRAIN LINES ON ADA/TAS ACCESSIBLE LAVATORIES AND SINKS WITH MCGUIRE PRO WRAP OR EQUAL. PROVIDE OFFSET DRAIN FITTINGS WHERE REQUIRED TO PROVIDE MINIMUM CLEARANCES.
 - ALL ADA/TAS SINKS SHALL BE STAMPED WITH DRAIN OUTLET AT THE REAR OF THE BOWL.
 - PLUMBING FIXTURES SHALL BE OF WATER CONSERVATION TYPE IN ACCORDANCE WITH SENATE BILL 587 FOR WATER SAVING PERFORMANCE. LAVATORY AND SINK FAUCETS SHALL INCLUDE 2.2 GPM FLOW CONTROL FOR SINKS AND 0.5 GPM FOR LAVATORIES.
 - SEAL ALL SPACES BETWEEN PLUMBING FIXTURES AND MOUNTING SURFACES WITH WHITE LATEX CAULK WIPED SMOOTH AND FLUSH WITH FIXTURE.
 - EQUIVALENT MANUFACTURES OF CHINA FIXTURES ARE KOHLER, ELJIER, AND CRANE. EQUIVALENT MANUFACTURES OF STAINLESS FIXTURES ARE JUST AND ELKAY.
 - WATER HEATER SHALL BE PROVIDED WITH CODE APPROVED VACUUM BREAKER AND BRASS ASME TEMPERATURE AND PRESSURE RELIEF VALVE. ROUTE TPR DRAIN LINE FULL SIZED TO EXTERIOR OF BUILDING AND TERMINATE 6" ABOVE FINISHED GRADE, OR AS INDICATED ON PLANS.
 - ROOF PENETRATIONS SHALL BE DONE IN STRICT COMPLIANCE WITH THE ARCHITECTS SPECIFICATIONS AND SHALL BE LEAK PROOF.
 - FIELD VERIFY ALL EXISTING CONDITIONS AND LOCATION OF STUB OUTS. NOTIFY ARCHITECT OF ANY DISCREPANCIES IMMEDIATELY WHICH MAY AFFECT THE INTENDED DESIGN.
 - ALL PLUMBING WORK SHALL BE DONE IN STRICT COMPLIANCE WITH ALL STATE AND LOCAL CODES.
 - THE PLUMBING CONTRACTOR SHALL GUARANTEE THE COMPLETE PLUMBING SYSTEM TO BE FREE OF DEFECTS IN WORKMANSHIP AND MATERIALS FOR A PERIOD OF 12 MONTHS FROM DATE OF FINAL ACCEPTANCE.
 - ALL WATER HEATER SUPPLY CONNECTIONS SHALL HAVE HEAT TRAP NIPPLE CONNECTIONS. HEAT TRAP NIPPLES NOT REQUIRED IF HOT WATER RECIRCULATION SYSTEM IS PROVIDED.

PLUMBING PIPE MATERIALS SCHEDULE	
PIPING SYSTEM	PIPING MATERIAL
SANITARY SEWER BELOW GRADE	SCHEDULE 40 DWV PVC
SANITARY DRAIN AND VENTS ABOVE GRADE	SCHEDULE 40 DWV PVC
DOMESTIC HOT & COLD WATER BELOW GRADE	COPPER, TYPE "K" SOFT
DOMESTIC HOT & COLD WATER ABOVE GRADE	COPPER, TYPE "L" HARD DRAWN
HOT WATER PIPE INSULATION	1" RIGID FIBER GLASS

* SCHEDULE 40 DWV PVC SHALL NOT BE USED IN RETURN AIR PLENUMS. WHERE CEILING PLENUMS ARE USED FOR RETURN AIR, CONTRACTOR SHALL ONLY USE BELL AND SPIGOT SERVICE WEIGHT CAST IRON PIPE.

PLUMBING LEGEND

DISREGARD LEGEND ITEMS NOT INDICATED ON DRAWINGS

SYMBOL	DESCRIPTION	ABBR.
---	SOIL OR WASTE PIPING B.G.	WST
---	SOIL OR WASTE PIPING A.G.	WST
---GW---	GREASE WASTE PIPING	GW
----	VENT PIPING	V
----	DOMESTIC COLD WATER	CW
----	DOMESTIC HOT WATER	HW
----	DOMESTIC HOT WATER RETURN	HWR
---TW---	TEMPERED DOMESTIC HOT WATER	TW
---BV---	BALL VALVE	BV
---O---	ELBOW UP	--
---D---	ELBOW DOWN	--
---X---	NEW TO EXISTING PIPE CONNECTION	--

PLUMBING RISER DETAILS

KEYED NOTES - RISER DIAGRAM DETAILS:

- REFER TO PLUMBING FIXTURE SCHEDULE FOR SOIL OR WASTE ROUGH-IN PIPE SIZE. MINIMUM SOIL OR WASTE DRAIN LINE SIZE (EXCEPT AS NOTED) FOR THIS FIXTURE.
- REFER TO PLUMBING FIXTURE SCHEDULE FOR SANITARY VENT ROUGH-IN PIPE SIZE. MINIMUM SANITARY VENT BRANCH SIZE (EXCEPT AS NOTED) FOR THIS FIXTURE.
- REFER TO PLUMBING FIXTURE SCHEDULE FOR FIXTURE DRAIN ROUGH-IN PIPE SIZE. MINIMUM FIXTURE DRAIN AND TRAP SIZE FOR THIS FIXTURE.
- REFER TO PLUMBING FIXTURE SCHEDULE FOR WATER PIPING ROUGH-IN PIPE SIZE. MINIMUM WATER SUPPLY BRANCH SIZE (EXCEPT AS NOTED) FOR THIS FIXTURE.
- PROVIDE SHOCK ARRESTORS, SIZE PER MANUFACTURER'S RECOMMENDATION.
- WALL CLEANOUTS SHALL BE PROVIDED AT ALL END OF BATTERY OR END OF BRANCH LINE FIXTURES AND WHERE REQUIRED BY PLUMBING CODE OFFICIALS TO ASSURE COMPLETE ACCESS TO ALL PORTIONS OF DRAIN.
- SANITARY VENT PIPES SHALL CONTINUE TO CEILING OR HEADER TOGETHER AT A MINIMUM 42" ABOVE FIN. FLOOR.



NRG ENGINEERING
5656 S. STAPLES, SUITE 360, CORPUS CHRISTI, TX 78411
P - 361.852.2727 F - 361.852.2922
TEXAS ENGINEERING FIRM NO. 005318

07/20/17

17118



KLEBERG BANK RENOVATIONS
5850 S. STAPLES
CORPUS CHRISTI, TX 78411

KEY PLAN
TURNER | RAMIREZ ARCHITECTS
3751 S. ALAMEDA ST.
CORPUS CHRISTI, TX 78411
p (361)994-8900

www.trarch.com

REV	DESC.	DATE

PHASE:
DWN BY: Author
CHKD BY: Checker
PROJECT NUMBER: 2016-06
SHEET IDENTIFICATION

PLUMBING DETAILS

P2.01