

NON-LOAD BEARING WALL BRACES. BRACING AT THE TOP OF MASONRY WALLS IS REQUIRED ON STRAIGHT RUNS OF WALL MORE THAN SIX FEET FROM A CORNER OR INTERSECTING WALL.
BRACING PLAN REQUIREMENTS (INTERIOR WALLS)

BRACE FRAMING FOR 3 5/8" STUDS

STUD TYPE	STUD PROP.	SPACING	MAX. LENGTH	
SJ 20 (40 KSI) (20 GA.)	MISCELLANEOUS			
	1X = 0.541 IN ⁴	4'-0" O.C.	14'-0"	BRACE AT MID-POINT FOR LENGTHS OVER 14'-0"
	rx = 1.429 IN			
	A = 0.2136 IN ²			
Sx = 0.273 IN ³				

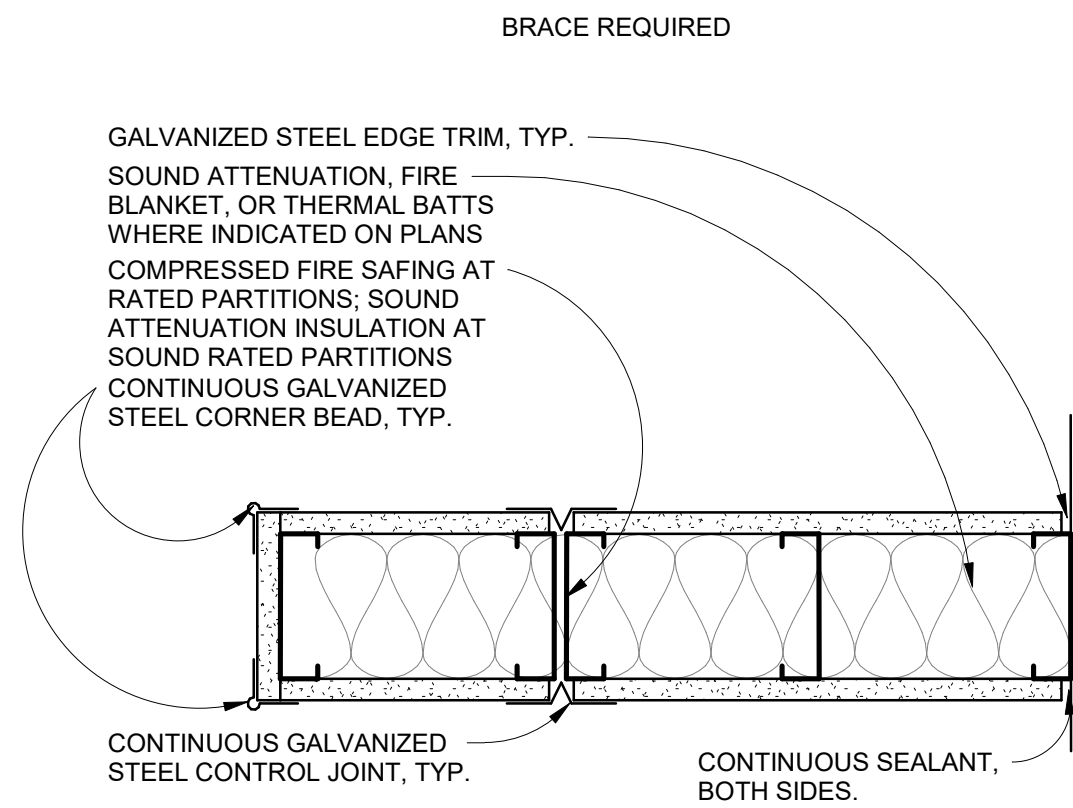
BRACE FRAMING FOR 6" STUDS

STUD TYPE	STUD PROP.	SPACING	MAX. LENGTH	
SJ 20 (40 KSI) (20 GA.)	MISCELLANEOUS			
	1X = 1.787 IN ⁴	4'-0" O.C.	20'-0"	BRACE AT MID-POINT FOR LENGTHS OVER 20'-0"
	rx = 2.253 IN			
	A = 0.2148 IN ²			
Sx = 0.539 IN ³				

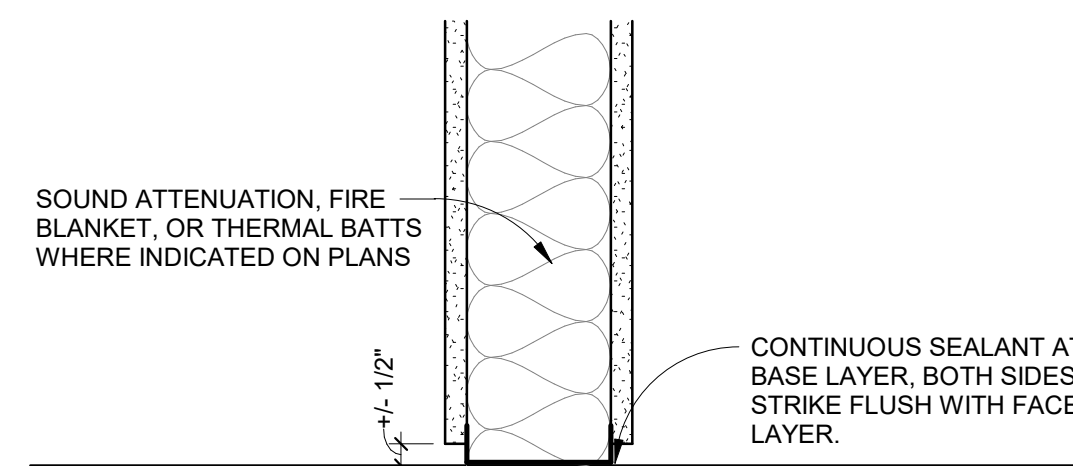
LIMITING HEIGHT OF METAL STUDS

STUD SIZE	SPACING	25 GA.	20 GA.
2 1/2"	16"	11'-3"	
3 5/8"	16"	14'-4"	
6"	16"	19'-9"	

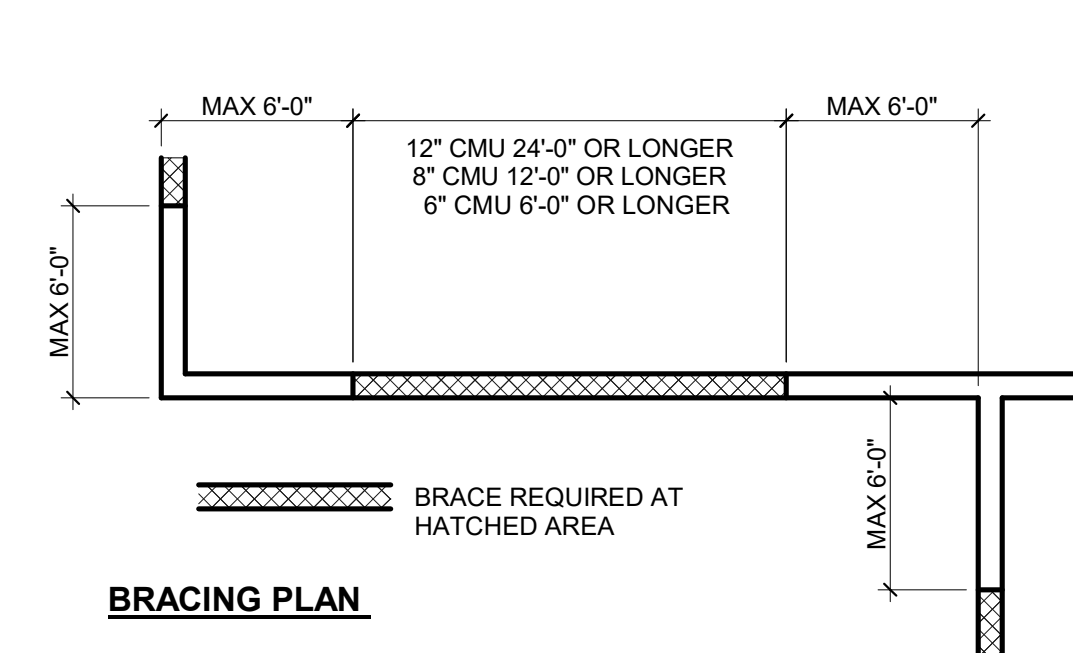
NOTE: THE TABLE INDICATED ABOVE IS BASED ON "DIETRICH" LIMITING HEIGHT CHART AND IS TO BE USED AS A GUIDE FOR INTERIOR WALL CONSTRUCTION. THE TABLE IS BASED WITH SHEATHING BOARD ON BOTH SIDES OF PARTITION.



PLAN (TERMINATIONS, ENDS AND



BASE



BRACING PLAN

GENERAL BRACING NOTES

BRACING NOTES:
 1. AT WALLS THAT TERMINATE ABOVE CEILING, CONTRACTOR MAY CONTINUE METAL STUD FRAMED WALLS TO UNDERSIDE OF METAL DECK AND OMIT DIAGONAL BRACING IF HEIGHT DOES NOT EXCEED LIMITING HEIGHT OF METAL STUD AS INDICATED ON CHART BELOW.
 2. PROVIDE INTERMEDIATE BRACING AT ALL PARTITIONS THAT EXCEED LIMITING HEIGHT OF METAL STUDS AS INDICATED ON CHART BELOW.
 3. ALL BRACING SHALL BE AT STUD POINTS.
 4. WHERE BRACING METHODS BETWEEN THIS SHEET AND STRUCTURE CONFLICT, STRUCTURE SHALL OVERRIDE. NOTIFY ARCHITECT.

TERMINATION NOTES:

1. AT ALL RATED PARTITIONS, FILL VOIDS IN METAL DECK AT TOP OF PARTITIONS WITH FIRESAFING.

CMU PARTITION NOTES:

1. LOCATE CONTROL JOINTS IN CMU PARTITIONS AS FOLLOWS (UNLESS NOTED OTHERWISE BY STRUCTURAL ENGINEER):
 A. PARTITIONS EXCEEDING 25'-0"
 B. WHERE PARTITION ABUTS A STRUCTURAL ELEMENT OF DISSIMILAR WALL.
 C. AT EXPANSION JOINTS
 D. REFER TO DETAILS FOR ADDITIONAL LOCATIONS

2. PROVIDE CMU LINTELS FOR ALL OPENINGS IN INTERIOR CMU PARTITIONS. COORDINATE WITH STRUCTURAL DRAWINGS.

3. PROVIDE 3/4" SPACE BETWEEN TOP OF CMU WALL AND STRUCTURE/ DECK ABOVE FOR POTENTIAL DEFLECTION. SEAL WITH APPROPRIATE SEALANT.

4. REFER TO STRUCTURE FOR ALL REINFORCING, BOND BEAM LOCATIONS AND LINTEL SCHEDULES.

GYPSUM WALLBOARD PARTITION NOTES:

1. ALL METAL STUD PARTITIONS ARE 25 GAUGE METAL STUDS AT 16" O.C. UNLESS NOTED OTHERWISE. IF THE LIMITING HEIGHT FOR A PARTITION IS EXCEEDED, INCREASE GAUGE OF STUDS AS INDICATED ON "LIMITING HEIGHT OF METAL STUDS" TABLE BELOW. NOTIFY ARCHITECT PRIOR TO INSTALLATION.

2. PROVIDE 20 GAUGE METAL STUDS IN LIEU OF 25 GAUGE METAL STUDS AT STUD WALL CERAMIC TILE LOCATIONS.

3. SET ALL FLOOR TRACKS ON A CONTINUOUS RIBBON OF SEALANT.

4. AT PARTITIONS DESIGNATED TO HAVE SOUND ATTENUATION BLANKETS:

A. PROVIDE 3-1/2" OR 6" THICK (MATCH STUD SIZE) SOUND ATTENUATION BLANKETS OR BATTS FULL HEIGHT OF PARTITION, UNLESS NOTED OTHERWISE.
 B. FILL ALL DECK VOIDS WITH SOUND ATTENUATION MATERIAL.
 C. SEAL PARTITION PERIMETER AND ALL PENETRATIONS WITH ACOUSTICAL SEALANT.
 D. TAPE AND BED OR CAULK ALL JOINTS BETWEEN FIRST AND SECOND LAYERS OF GYPSUM BOARD AND AT ALL SOUND RATED WALLS TAKEN THROUGH THE CEILING.
 E. PROVIDE CONTINUOUS ACOUSTICAL SEALANT AT BOTTOM OF PARTITION ON BOTH SIDES AT NON-RATED PARTITIONS AND PROVIDE CONTINUOUS FIRE RATED SEALANT AT FIRE-RATED PARTITIONS.

5. PROVIDE TILE BACKER BOARD ON WALLS BEHIND AND ADJACENT TO PLUMBING FIXTURES, AND BEHIND ALL CERAMIC TILE AT ALL DAMP LOCATIONS AT GYPSUM BOARD PARTITIONS.

6. RIGIDLY BRACE ALL DOOR JAMBS AT THE HEAD, HINGE AND STRIKE SIDES AND WINDOW AT THE HEAD, SILL AND JAMBS.

7. LOCATE CONTROL JOINTS IN GYPSUM BOARD PARTITIONS AS FOLLOWS:

A. PARTITIONS OR FURRING RUNS EXCEEDING 30'-0"
 B. WHERE A PARTITION ABUTS A STRUCTURAL ELEMENT OR DISSIMILAR WALL
 C. CONSTRUCTION CHANGES WITHIN PLANE OF PARTITION
 D. AT EXPANSION OR CONTROL JOINTS THROUGHOUT THE BUILDING
 E. AT BOTH JAMBS OF INTERIOR AND EXTERIOR DOOR AND WINDOW FRAMES, ABOVE AND BELOW FULL HEIGHT OF WALL

8. FIRE RATED PARTITIONS:

A. PROVIDE TYPE "X" FIRE RESISTIVE GYPSUM BOARD, 5/8" THICK UNLESS NOTED OTHERWISE
 B. FILL ALL VOIDS AT DECK WITH FOAM FIRESTOP SEALANT
 C. SEAL PARTITION PERIMETER AND ALL PENETRATIONS WITH RATED SEALANT
 D. REFER TO UL MANUAL FOR RATED PARTITION DESCRIPTIONS AND DETAILED CONSTRUCTION NOTES.

9. PROVIDE DEFLECTION TRACK AT ALL STUD CONNECTIONS AT BOTTOM OF DECK AND FILL VOIDS AS REQUIRED.

10. EXTEND GYPSUM BOARD ABOVE ADJACENT FINISHED CEILING MINIMUM OF SIX INCHES (6").

HOW TO USE THIS SHEET:

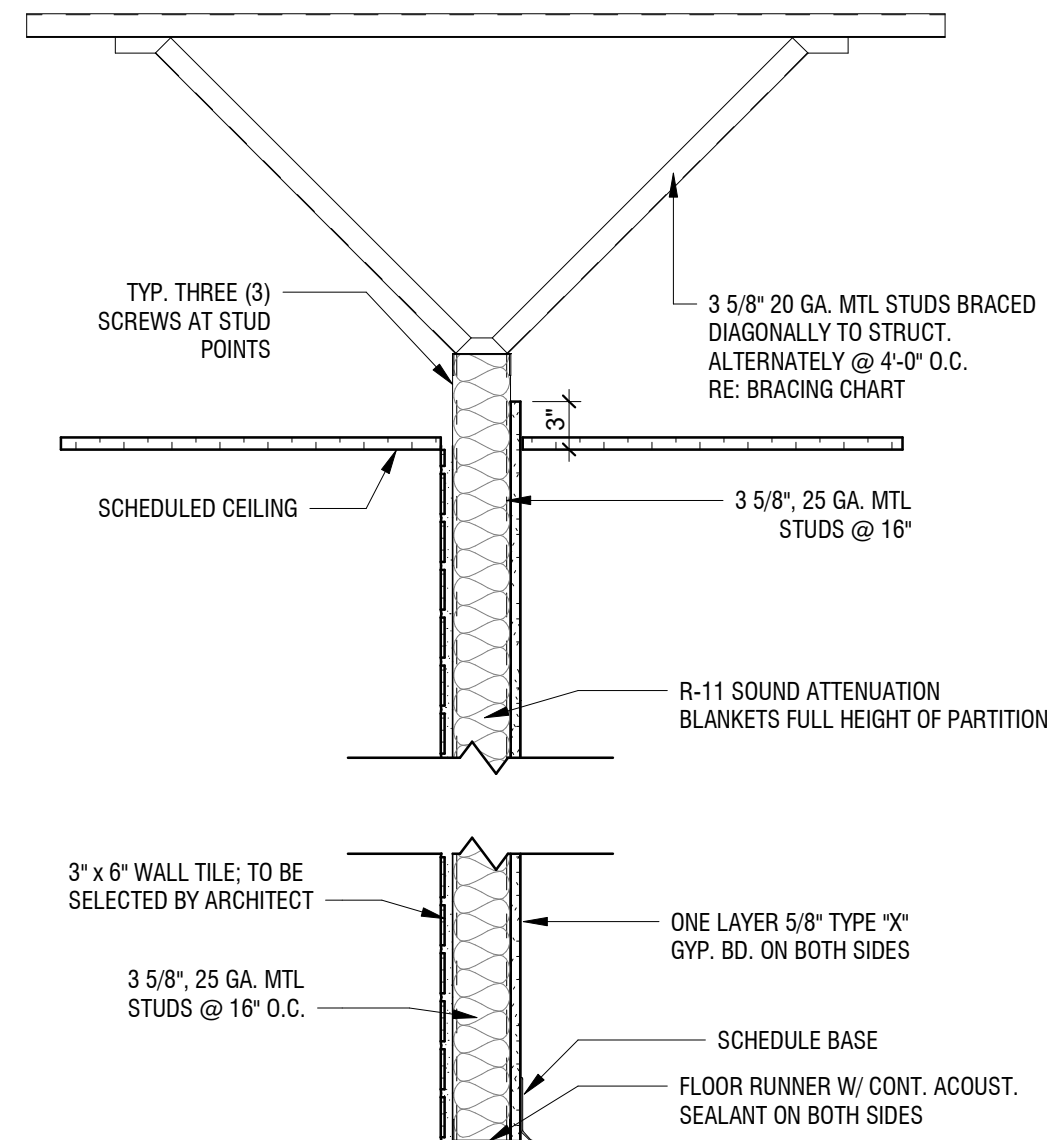
1. NOT EVERY PARTITION TYPE SHOWN IS NECESSARILY INTENDED FOR THE USE ON THIS PROJECT. REFER TO FLOOR PLANS FOR REFERENCE MARKS INDICATING APPLICABLE PARTITION TYPES.

2. REFER TO BRACING DETAILS FOR SUPPORT OF THE TOP OF EACH PARTITION TYPE AND BRACING OF PARTITIONS THAT EXCEED LIMITING HEIGHT OF PARTITION TYPES.

3. REFER TO FINISH SCHEDULES FOR APPLIED FINISHES TO BOTH SIDES OF WALLS.
 4. COORDINATE BURNISHED AND SPLIT FACE CMU BLOCK BASED ON FINISH SCHEDULES, SECTIONS AND DETAILS.

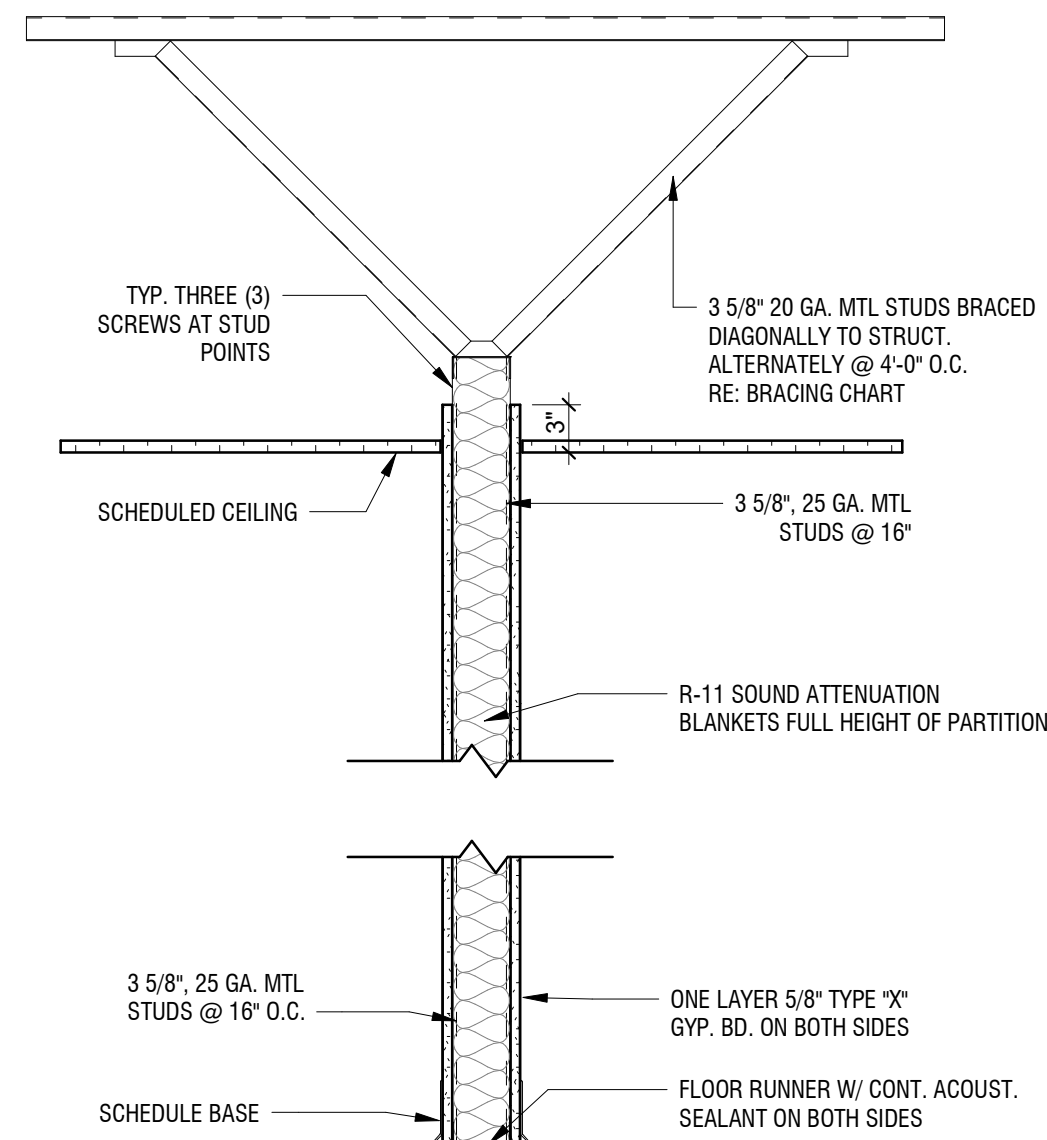
5. COORDINATE TOPS OF FINISHED WALLS WITH ADJACENT CEILING HEIGHTS PER SCHEDULES, SECTIONS AND/OR DETAILS.

6. CONSULT ARCHITECT FOR ANY DISCREPANCIES OR QUESTIONS REGARDING PARTITIONS PRIOR TO INSTALLATION



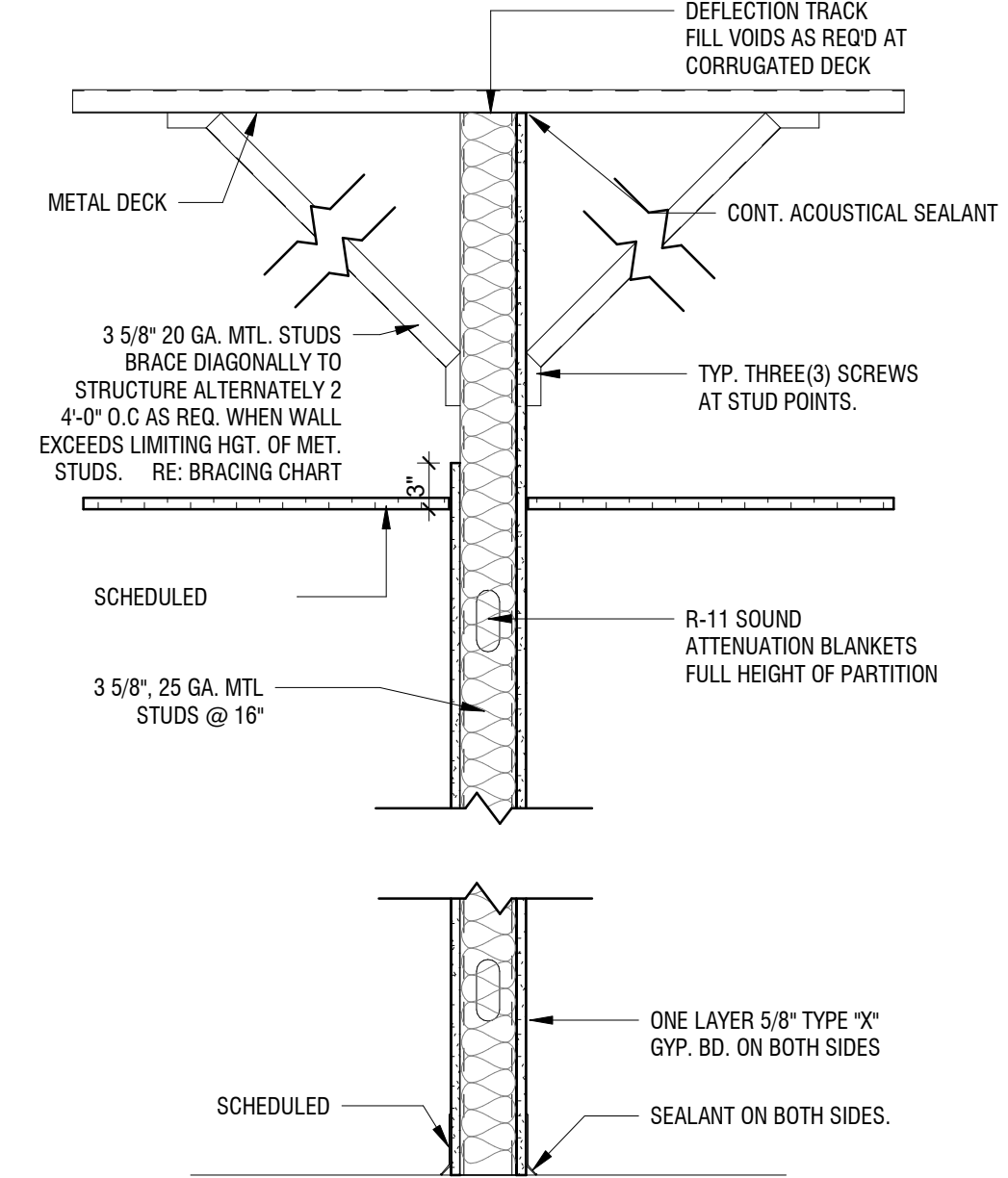
TYPE	RATG	DESCRIPTION
F1	NONE	3 5/8" MTL. STD. W/ R-11 SOUND ATTENUATION INSULATION

A1
A5.06
PARTITION TYPE "F"
1" = 1'-0"



TYPE	RATG	DESCRIPTION
A1	NONE	3 5/8" MTL. STD.
A2	NONE	3 5/8" MTL. STD. W/ R-11 SOUND ATTENUATION INSULATION

A2
A5.06
PARTITION TYPE "A"
1" = 1'-0"



TYPE	RATG	DESCRIPTION
B1	NONE	3 5/8" MTL. STD. TO DECK
B2	NONE	3 5/8" MTL. STD. TO DECK W/ R-11 SOUND ATTENUATION INSULATION
B3	NONE	3 5/8" MTL. STD. TO DECK/1 SIDE GYP. BD.

A3
A5.06
PARTITION TYPE "B"
1" = 1'-0"

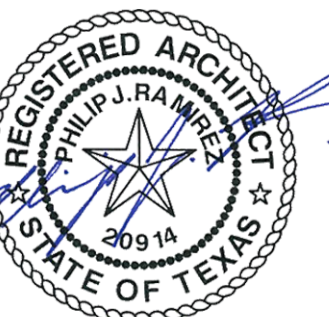


TURNER | RAMIREZ
ARCHITECTS

KLEBERG BANK - CAFE
5850 S. STAPLES
CORPUS CHRISTI, TX 78411

TURNER | RAMIREZ ARCHITECTS
3751 S. ALAMEDA ST.
CORPUS CHRISTI, TX 78411
p (361)994-8900

www.trarch.com



08/07/17

REV	DESC.	DATE
1	ADDENDA 1	11/21/16
	ISSUE DATE:	08/07/17

PHASE:
DWN BY: CAH
CHKD BY: RP
PROJECT NUMBER: 2016-06
SHEET IDENTIFICATION

WALL TYPES

A5.06

