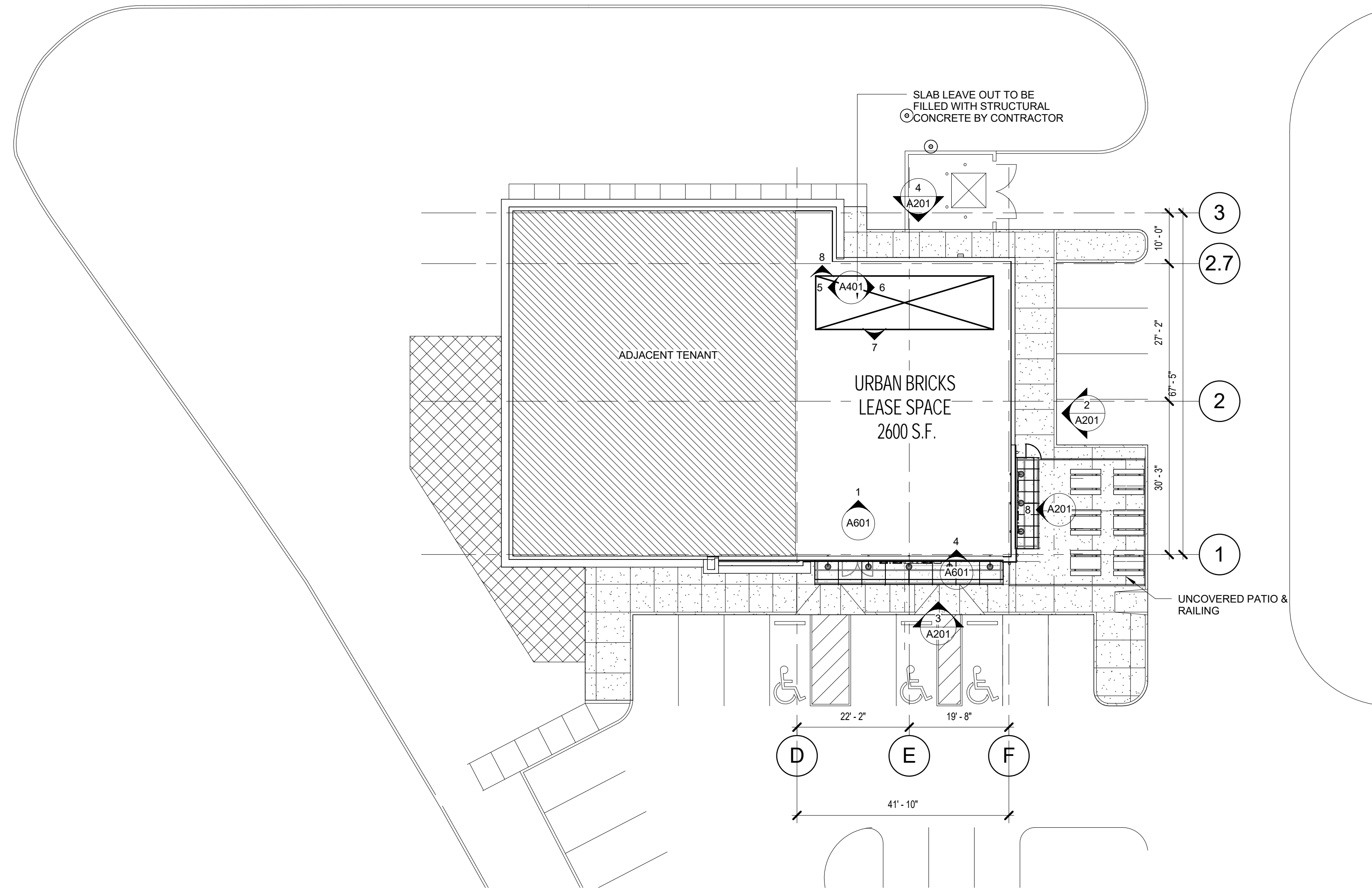




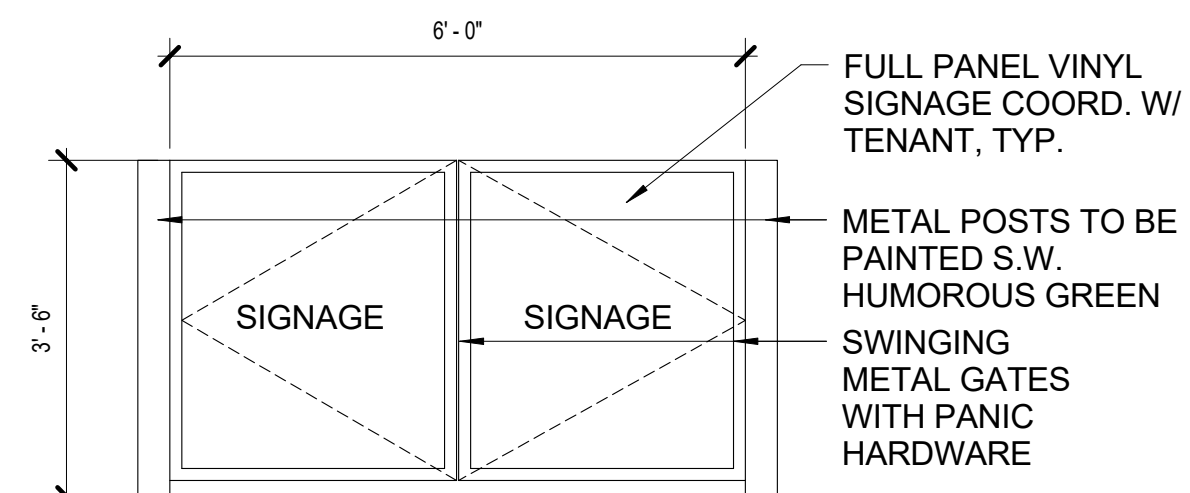
Revisions		
Number	Description	Date

Open studio architecture, PLLC © 2016  
All Rights Reserved

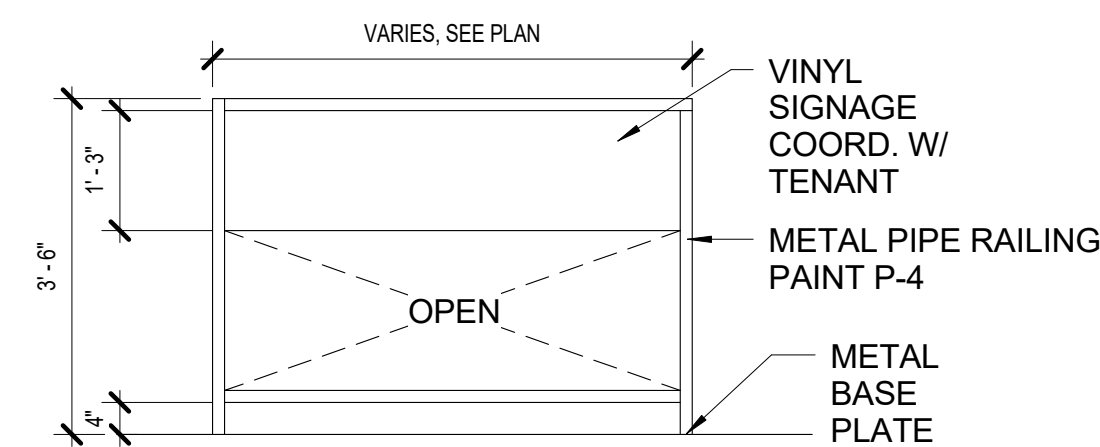
THIS DRAWING IS PROVIDED AS AN INSTRUMENT OF SERVICE BY THE ARCHITECT AND IS INTENDED FOR USE ON THIS PROJECT ONLY. THE DRAWING REMAINS THE PROPERTY OF THE ARCHITECT AND SHALL BE RETURNED TO HIM/HER UPON COMPLETION OF THE CONSTRUCTION WORK. PURSUANT TO THE ARCHITECTURAL WORKS COPYRIGHT PROTECTION ACT OF 1990, ALL DRAWINGS, SPECIFICATIONS, IDEAS, AND DESIGNS, INCLUDING THE OVERALL FORM, ARRANGEMENT, AND COMPOSITION OF THE SPACES, AND ELEMENTS APPEARING HEREIN, CONSTITUTE THE COPYRIGHT WORK OF THE ARCHITECT. ANY REPRODUCTION, USE, OR DISCLOSURE OF INFORMATION CONTAINED HEREIN WITHOUT PRIOR WRITTEN CONSENT OF THE ARCHITECT IS STRICTLY PROHIBITED.



**1 EXISTING SITE PLAN**  
SCALE: 1/16" = 1'-0"



**3 PATIO GATE ELEVATION**  
SCALE: 1/2" = 1'-0"



**4 PATIO RAILING ELEVATION**  
SCALE: 1/2" = 1'-0"

**URBAN BRICKS PIZZA CO.**

4902 S. STAPLES ST. SUITE F1  
CORPUS CHRISTI, TX 78411

project #: 15.246  
date: 4.21.16  
drawn by: HS  
checked by: GS  
drawing title: ARCHITECTURAL SITE PLAN

drawing number:

**SP101**